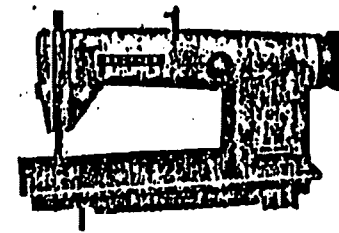


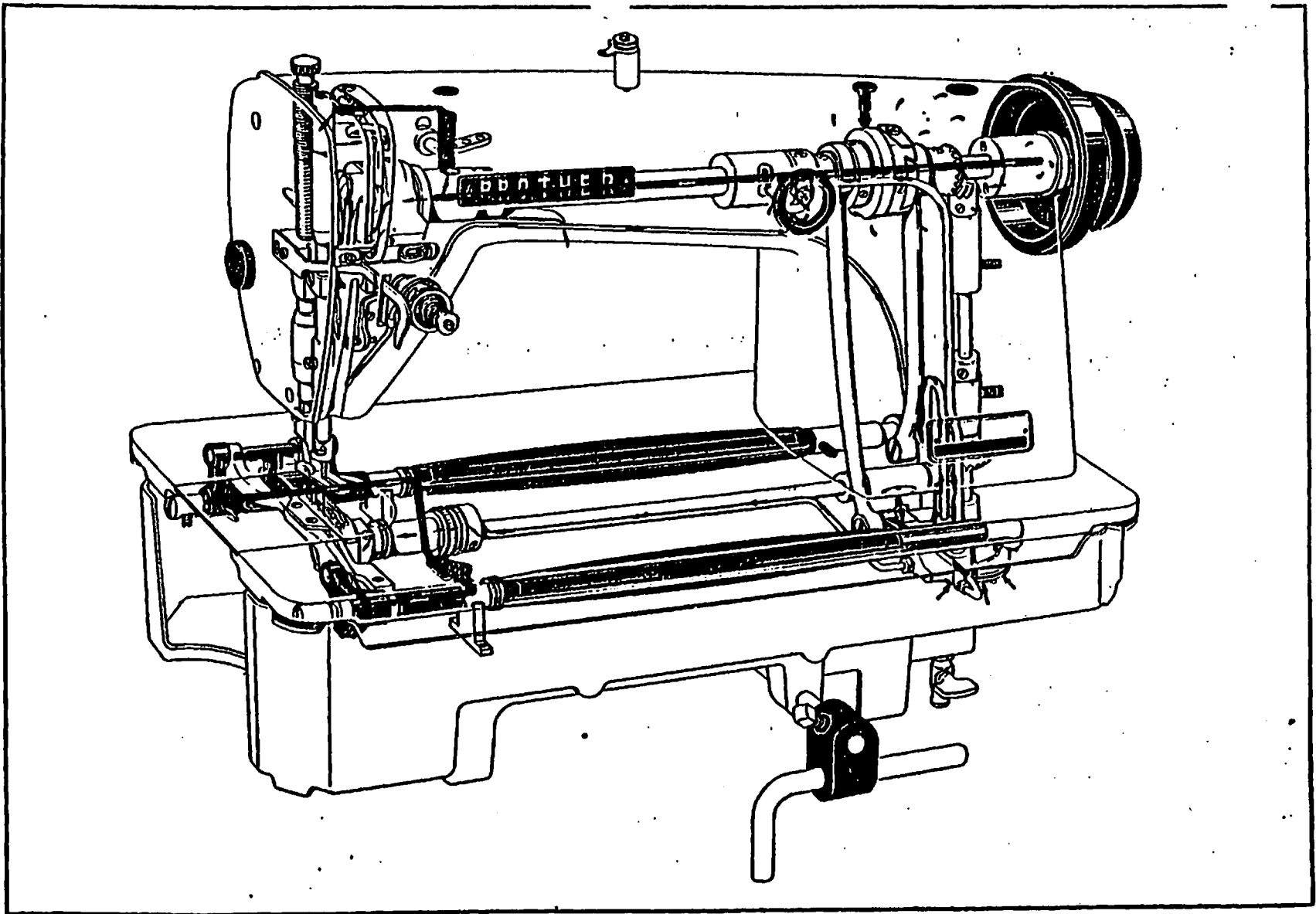
KNEE LIFTER OIL PAN USE 755

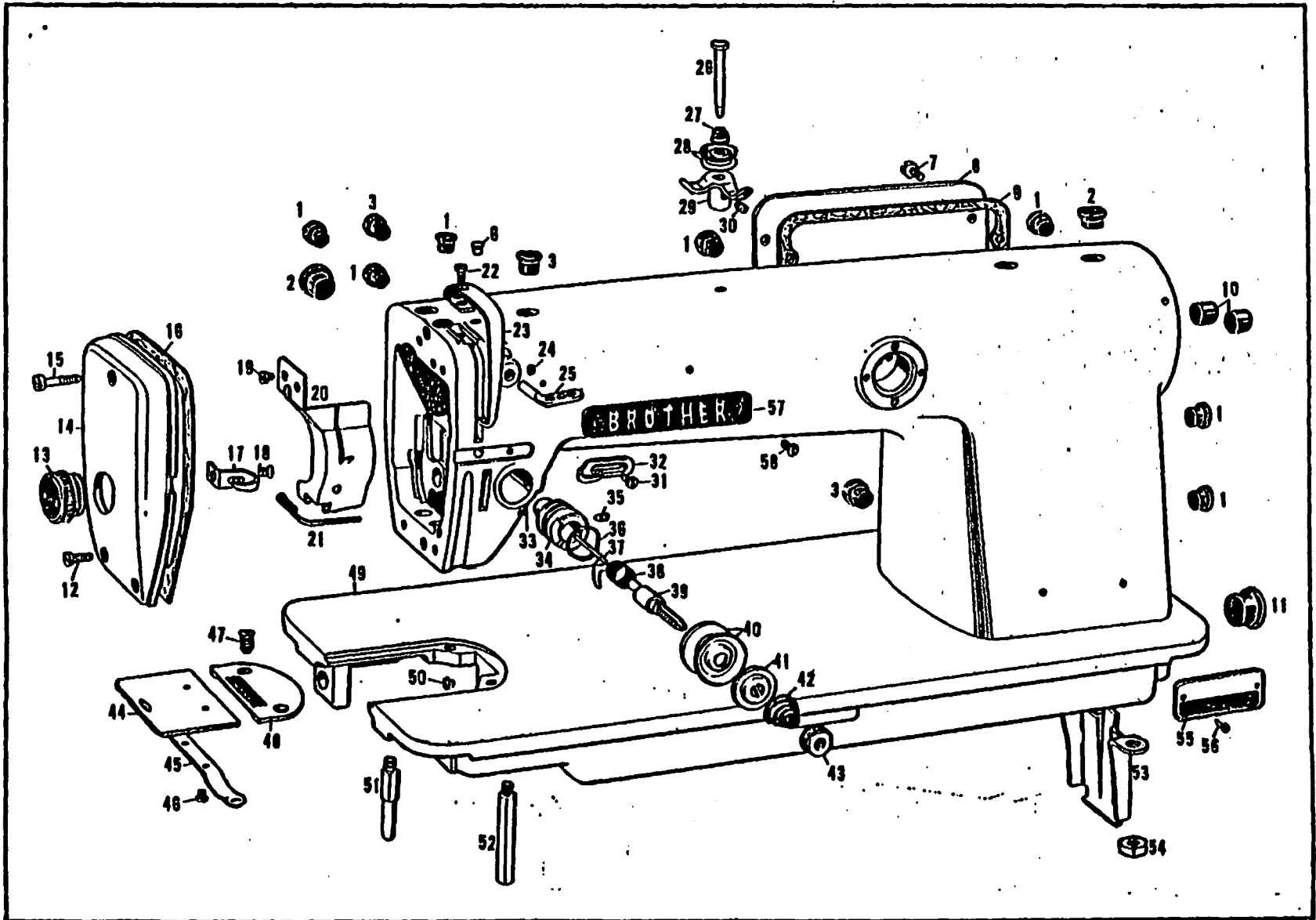
DB2-B756



Please clarify Ref. No. and
Parts No. as well as parts name
When you place an order.

I 0010085

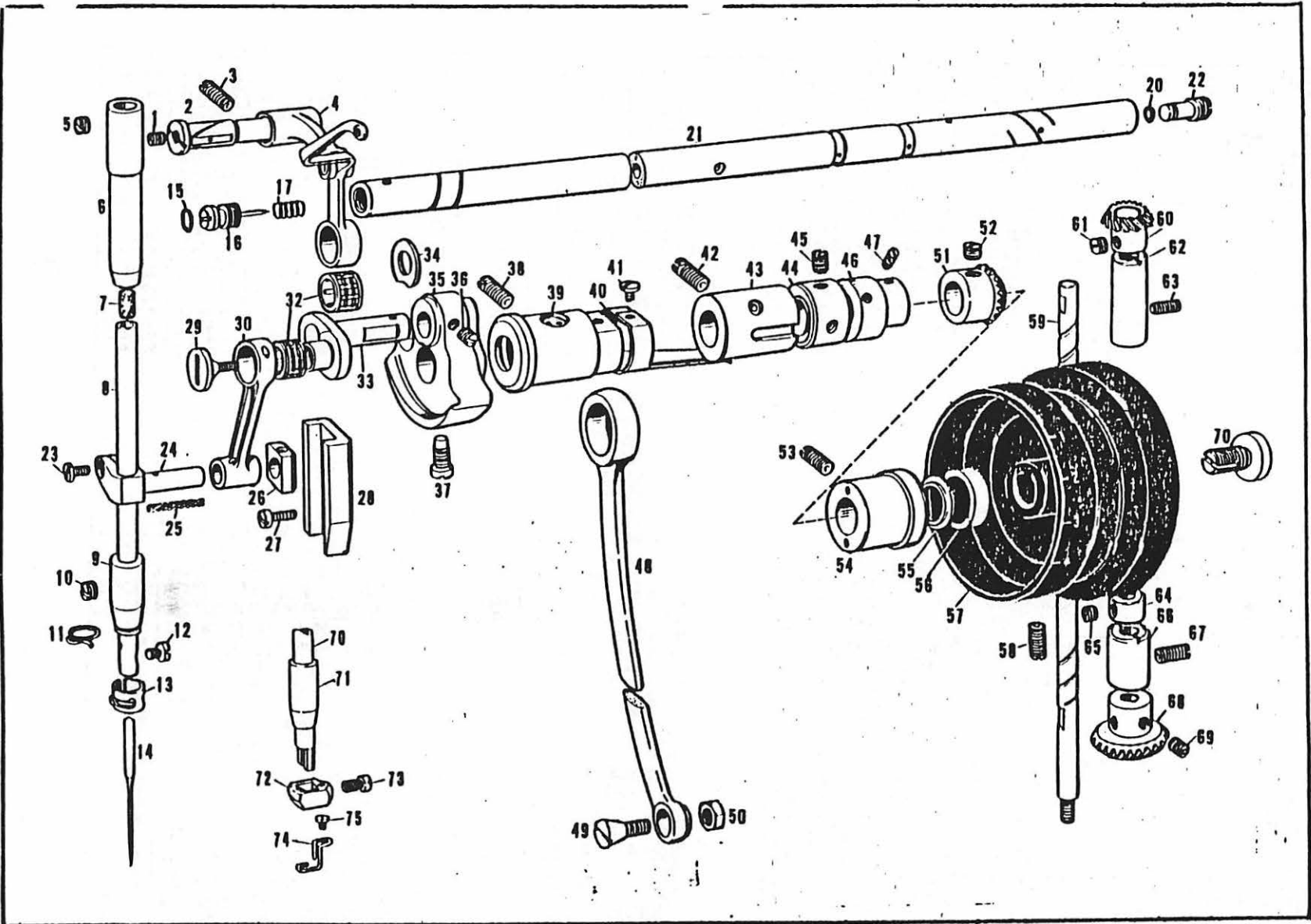




PARTS LIST for DB2-B756

B 756-A3

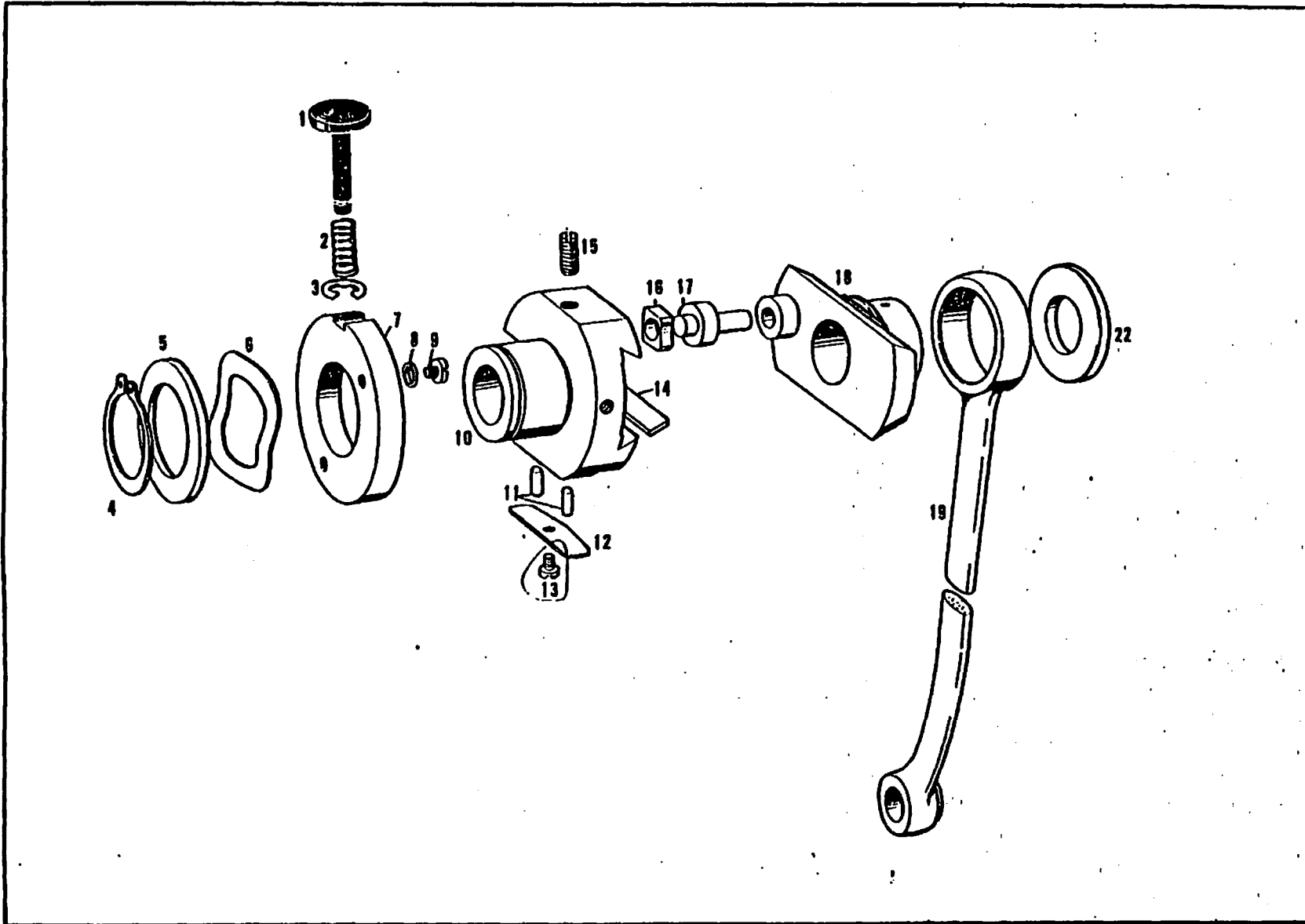
Ref. No.	Name of Parts	Q'ty	Parts-No.	Assembly No.	Ref. No.	Name of Parts	Q'ty	Parts-No.	Assembly No.
A-1	Oil Cap for Needle Bar Hole, of B-3, B-38, B-42, B-53, B-63, B-67	7 pcs.	104450-0-01		A-46	Bot Screw for A-45	2 pcs.	100035-0-01	
A-2	Oil Cap for Hole of B-37, B-56	2 "	104449-0-01		A-47	Bot Screw for A-48	2 pcs.	100032-0-01	
A-3	Oil Cap for Hole of A-4, F-1, B-65	3 "	104821-0-01		A-48	Needle Plate (A14) for B756-1	1 pcs.	100603-0-01	
A-6	Oil Cap	1 "	111805-0-01		"	Needle Plate (E18) for B756-3	1 "	111859-0-01	
A-7	Bot Screw for A-8	4 pcs.	100137-0-02		"	Needle Plate (F22) for B756-5	1 "	115998-0-01	
A-8	Hoar Cover	1 pcs.	111456-0-01		A-49	Arm-bed	1 "	111453-0-01	
A-9	Packing for Hoar Cover A-8	1 "	111457-0-01		A-50	Oil Cap on Bed Near Rotary Hook	1 "	104833-0-01	
A-10	Oil Cap at Inside of Pulley	2 pcs.	104832-0-01		A-51	Bed Leg 3	1 "	104830-0-01	
A-11	Oil Cap at Pulley Side of Bed	1 pcs.	108520-0-01		A-22	Bed Leg A	2 pcs.	104828-0-01	
A-12	Bot Screw for A-14	2 pcs.	100287-0-04		A-53	Pump Cover	1 pcs.	108481-0-03	
A-13	Oil Cap for Face Plate	1 pcs.	112782-0-01		A-54	Nut for Pump Cover	1 "	100090-0-03	
A-14	Face Plate	1 "	111455-0-01		A-55	Model Plate for B756-1	1 "	140015-0-01	
A-15	Bot Screw for A-14	1 "	107385-0-01		"	Model Plate for B756-3	2 pcs.	140016-0-01	
A-16	Packing for Face Plate	1 "	109195-0-01		"	Model Plate for B756-5	1 pcs.	140012-0-01	
A-17	Face Plate Thread Guide	1 "	111478-0-01		A-56	Model Plate Pin	2 pcs.	116231-0-01	
A-18	Bot Screw for A-17	1 "	108900-0-03		A-57	Name Plate "BROTHER"	1 "	112547-0-01	
A-19	Bot Screw for A-20	2 pcs.	100242-0-04		A-58	Bot Screw for A-57	1 "	100191-0-03	
A-20	Oil Stopper Plate for Thread Take-up Link	1 pcs.	111478-0-01						
A-21	Wick 4x4	1 "	109450-0-01						
A-22	Bot Screw for A-23	1 "	100541-0-03						
A-23	Thread Take-up Cover	1 "	111477-0-01						
A-24	Bot Screw for A-25	1 "	100388-0-04						
A-25	Thread Retainer	1 "	114931-0-01						
A-26	Pre-tension Stud <i>144568-01</i>	1 "	112998-0-01	<i>144502-01</i>					
A-27	Pre-tension Spring <i>144501-01</i>	1 "	100548-0-01	<i>112937-01</i>					
A-28	Pre-tension Disc <i>144504-01</i>	2 pcs.	100548-0-01						
A-29	Pre-tension <i>144503-01</i>	1 pcs.	112998-0-01						
A-30	Bot Screw for A-29 <i>102716-03</i>	1 "	100318-0-02						
A-31	Bot Screw for A-32	1 "	100257-0-07						
A-32	Arm Thread Guide	1 "	113316-0-01						
A-33	Bot Screw for A-39	1 "	100402-0-02						
A-34	Upper Thread Tension Bracket	1 "	111854-0-01						
A-35	Bot Screw for A-34	1 "	103950-0-02						
A-36	Packing for A-34	1 "	114294-0-01						
A-37	Tension Release Pin	1 "	100400-0-01						
A-38	Thread Take-up Spring	1 "	100399-0-01						
A-39	Tension Stud	1 "	100398-0-01						
A-40	Tension Disc	2 pcs.	108721-0-01						
A-41	Tension Disc Washer	1 pcs.	110034-0-01						
A-42	Tension Spring	1 "	104525-0-01						
A-43	Tension Control Nut	1 "	100138-0-01						
A-44	Slide Plate	1 "	100208-0-01	180018-0-					
A-45	Slide Plate Spring	1 "	114501-0-01	01					



PARTS LIST for DB2-B756

B756-B5

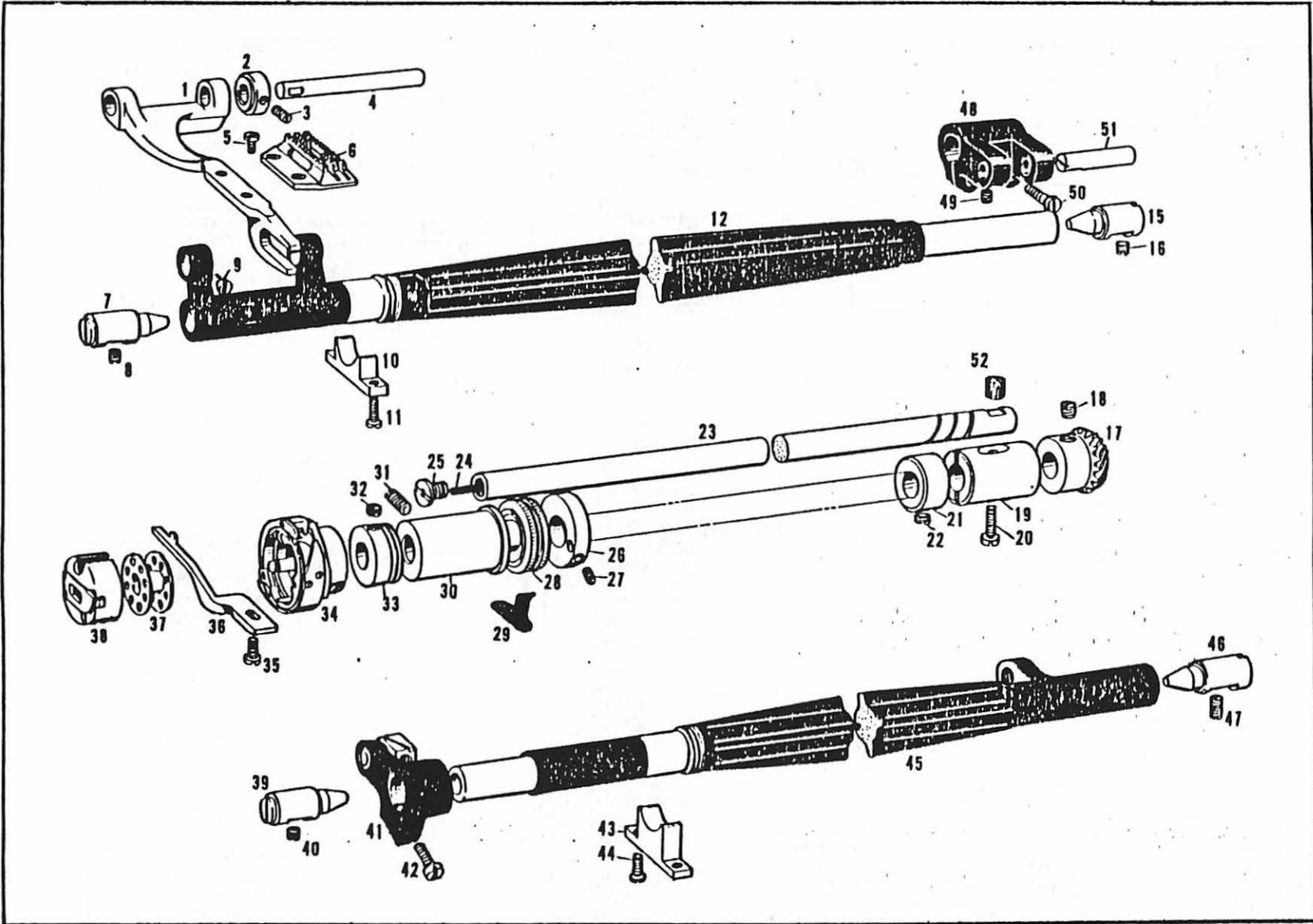
Ref. No.	Name of Parts	Q'ty	Parts-No.	Assembly No.	Ref. No.	Name of Parts	Q'ty	Parts-No.	Assembly No.
B-1	Cap Screw for Oil Hole of B-2	1 pce.	104651-0-01		B-32	Needle Roller Retainer with Needle Roller	2 pce.	116735-0-00	113278-001
B-3	Set Screw for B-2	1 *	100016-0-03		B-33	Needle Bar Crank	1 pce.	109140-0-01	for B756-3
B-5	Set Screw for B-6	1 *	100260-0-01		B-2	Stud for Thread Take-up Supporter	1 *	111468-0-01	
B-7	Needle Bar Cork	1 *	111863-0-01		B-4	Thread Take-up Lever	1 *	111238-0-01	
B-6	Needle Bar Bushing Upper	1 *	111463-0-01	182053-001	B-23	Clamp Screw for B-24	1 *	140004-0-01	117911-001
B-8	Needle Bar	1 *	111482-0-01	for B756-1	B-24	Needle Bar Connecting Stud	1 *	111237-0-01	for B756-5
B-9	Needle Bar Bushing Lower	1 *	111464-0-01		B-29	Stud Cap Screw for Needle Bar Crank	1 *	103001-0-01	
B-6	Needle Bar Bushing Upper	1 *	111463-0-01	182300-001	B-30	Needle Bar Crank Rod	1 *	111236-0-01	
B-70	Needle Bar	1 *	114928-0-01	for B756-3	B-32	Needle Roller Retainer With Needle Roller	2 pce.	116735-0-00	
B-71	Needle Bar Bushing Lower	1 *	114929-0-01		B-33	Needle Bar Crank	1 pce.	117912-0-01	
B-6	Needle Bar Bushing Upper	1 *	111463-0-01	182357-001	B-34	Needle Bar Crank Washer	1 *	110367-0-01	
B-70	Needle Bar	1 *	117252-0-01	for B756-5	B-35	Counter Weight for B756-1	1 *	111468-0-00	
B-71	Needle Bar Bushing Lower	1 *	118204-0-01		B-35	Counter Weight for B756-3	1 *	109205-0-00	
B-10	Set Screw for B-9	1 *	100260-0-01		B-35	Counter Weight for B756-5	1 *	117913-0-00	
B-11	Thread Guide under B-9	1 *	100573-0-01		B-36	Set Screw for B-35	2 pce.	100251-0-01	
B-12	Set Screw for B-14	1 *	140553-0-01		B-37	Take-up Crank Position Screw	1 pce.	104464-0-01	181994-0-
B-13	Needle Bar Thread Guide	1 *	112775-0-01		B-38	Set Screw for B-39	1 *	100016-0-03	01
B-14	Needle DA x 11 for B756-1	1 *	100575-0-31		B-39	Upper Shaft Bearing Left	1 *	111459-0-00	
B-14	Needle DB x 11 for B756-3	1 *	100265-0-36		B-40	Oil Flow for B-39	1 *	104552-0-00	
B-14	Needle DB x 11 for B756-5	1 *	100265-0-39		B-41	Set Screw for B-40	1 *	009660-0-02	
B-15	Packing for B-16	1 *	118770-0-01		B-42	Set Screw for B-43	1 *	100016-0-03	
B-16	Oil Adjusting Screw for Upper Shaft	1 *	140412-0-01		B-43	Upper Shaft Bearing Intermediate	1 *	104836-0-00	
B-17	Spring for B-16	1 *	116799-0-01		B-44	Upper Shaft Collar	1 *	101486-0-01	
B-20	Packing ZN6227-2 for B-19, B-22	2 pce.	104556-0-01		B-45	Set Screw for B-44	2 pce.	100013-0-03	
B-21	Upper Shaft	1 pce.	111458-0-01		B-46	Vertical Feed Eccentric	1 pce.	113349-0-01	
B-22	Oil Screw Right for Upper Shaft	1 *	104555-0-00		B-47	Set Screw for B-46	2 pce.	114560-0-01	
B-25	Wick 6x16 for B-24	1 *	108809-0-01		B-48	Vertical Feed Connecting Rod	1 pce.	110538-0-02	
B-26	Needle Bar Guide Slide Block	1 *	102630-0-01		B-49	Tapor Screw for B-48	1 *	100310-0-01	
B-27	Set Screw for B-28	2 pce.	100137-0-01		B-50	Nut for B-49	1 *	104680-0-01	
B-28	Needle Bar Guide	1 pce.	102631-0-00		B-51	Upper Shaft Gear	1 *	116998-0-01	
B-2	Stud for Thread Take-up Supporter	1 *	111468-0-01		B-52	Set Screw for B-51	2 pce.	100251-0-01	
B-4	Thread Take-up Lever	1 *	111238-0-01		B-50	Vertical Shaft Gear	1 *	116999-0-01	180022-0-
B-23	Clamp Screw for B-24	1 *	140004-0-01	111234-001	B-61	Set Screw for B-60	2 pce.	101708-0-01	01
B-24	Needle Bar Connecting Stud	1 *	111237-0-01	for B756-1	B-53	Set Screw for B-54	1 pce.	100016-0-03	
B-29	Cap Screw for Needle Bar Crank	1 *	103001-0-01	140351-001	B-54	Upper Shaft Bearing Right	1 *	104837-0-00	
B-30	Needle Bar Crank Rod	1 *	111236-0-01		B-55	Oil Reactor for Upper Shaft	1 *	105870-0-00	
B-32	Needle Roller Retainer with Needle Roller	2 pce.	116735-0-00		B-56	Oil Seal	1 pce.	101487-0-00	
B-33	Needle Bar Crank	1 pce.	111235-0-01		B-57	Arm Pulley for B756-1 & B756-3	1 *	115245-0-01	
B-2	Stud for Thread Take-up Supporter	1 *	111468-0-01		B-57	Arm Pulley for B756-5	1 *	140013-0-01	
B-4	Thread Take-up Lever	1 *	111238-0-01		B-58	Set Screw for B-57	2 pce.	100016-0-03	
B-23	Clamp Screw for B-24	1 *	140004-0-01	113278-001	B-59	Vertical Shaft	1 pce.	109159-0-01	
B-24	Needle Bar Connecting Stud	1 *	111237-0-01	for B756-3	B-62	Vertical Shaft Upper Bushing	1 *	104513-0-01	
B-29	Cap Screw for Needle Bar Crank	1 *	103001-0-01		B-63	Set Screw for B-62	1 *	100016-0-03	
B-30	Needle Bar Crank Rod	1 *	111236-0-01						



PARTS LIST for DB2-B756

B756-07

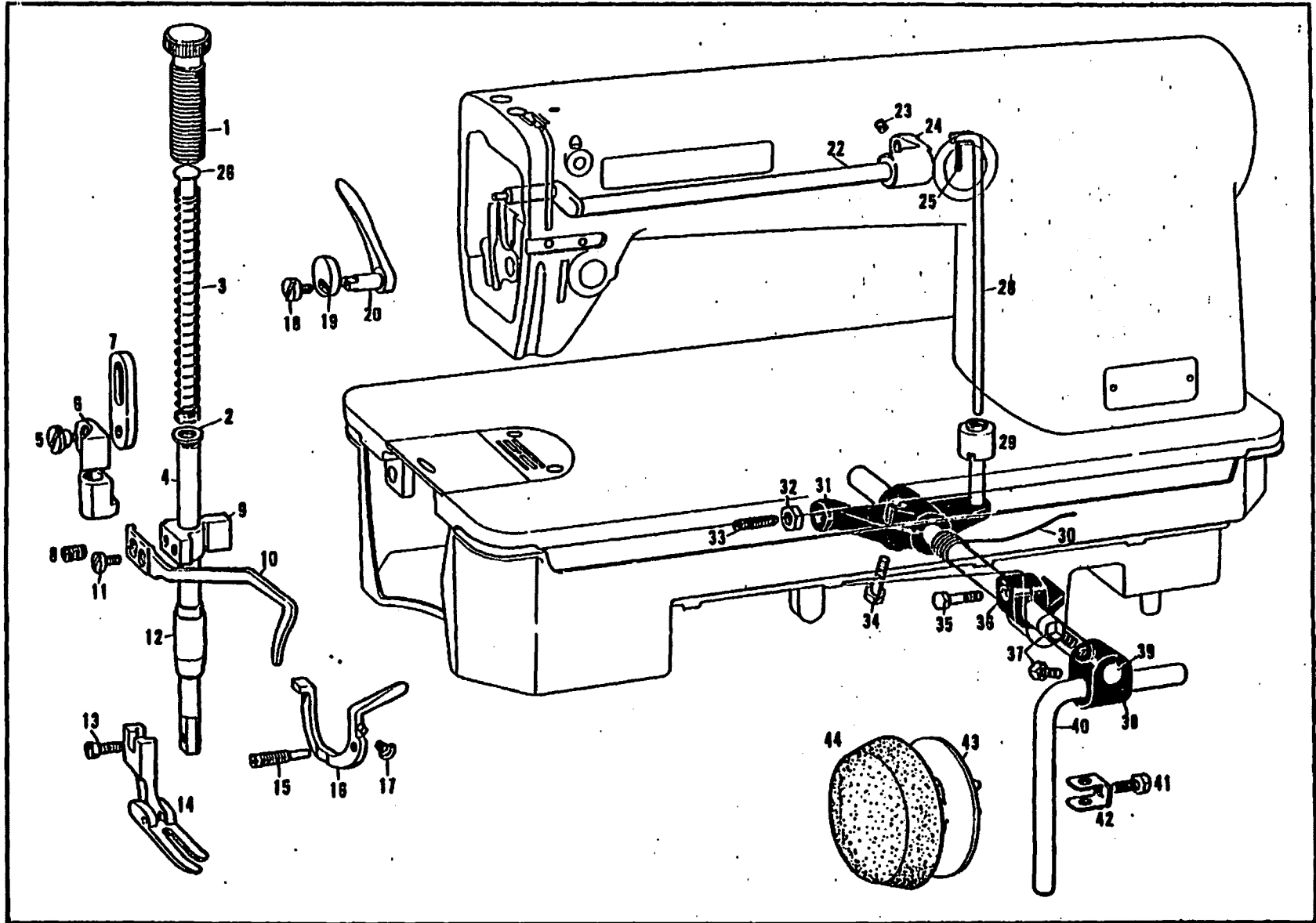
Ref. No.	Name of Parts	Q'ty	Parts-No.	Assembly No.	Ref. No.	Name of Parts	Q'ty	Parts-No.	Assembly No.
C-1	Feed Control Button	1 pce.	111471-0-01		C-16	Block for C-22	1 pce.	101477-0-01	
C-2	Spring for C-1	1 /	103607-0-00		C-17	Eccentric Wheel Control Pin	1 /	101476-0-01	
C-3	Stop Ring	1 /	111825-0-01		C-18	Eccentric Wheel	1 /	103593-0-01	
C-15	Set Screw for C-10	2 pcs.	100016-0-03						
C-19	Horizontal Feed Crank	1 pce.	111472-0-01						
C-22	Stopper for C-19	1 /	101482-0-01						
C-4	Stop Ring Ø	1 /	142369-0-01						
C-5	Spring Presser	1 /	142120-0-01						
C-6	Ripple Type Spring	1 /	103602-0-02						
C-7	Eccentric Feed Control Cam	1 /	112134-0-01						
C-8	Cam Ditch Washer	2 pcs.	103601-0-01						
C-9	Set Screw for C-8	1 pce.	101479-0-01						
C-10	Eccentric Wheel Clamp	2 pcs.	112075-0-01	112135-0-01					
C-11	Pressor Pin for C-14	2 /	104765-0-01	for B756-1					
C-12	Gib Stopper	1 pce.	104766-0-01						
C-13	Set Screw for C-12	1 /	104717-0-01						
C-14	Gib	1 /	103595-0-00						
C-16	Block for C-22	1 /	101477-0-01						
C-17	Eccentric Wheel Control Pin	1 /	101476-0-01						
C-18	Eccentric Wheel	1 /	103593-0-01						
C-4	Stop Ring Ø	1 /	142369-0-01						
C-5	Spring Presser	1 /	142120-0-01						
C-6	Ripple Type Spring	1 /	103602-0-02						
C-7	Eccentric Feed Control Cam	1 /	101478-0-01						
C-8	Cam Ditch Washer	2 pcs.	103601-0-01						
C-9	Set Screw for C-8	1 pce.	101479-0-01						
C-10	Eccentric Wheel Clamp	2 pcs.	112075-0-01	100885-0-01					
C-11	Pressor Pin for C-14	2 /	104765-0-01	for B756-3					
C-12	Gib Stopper	1 pce.	104766-0-01						
C-13	Set Screw for C-12	1 /	104717-0-01	- 00966042					
C-14	Gib	1 /	103595-0-00						
C-16	Block for C-22	1 /	101477-0-01						
C-17	Eccentric Wheel Control Pin	1 /	101476-0-01						
C-18	Eccentric Wheel	1 /	103593-0-01						
C-4	Stop Ring Ø	1 /	142369-0-01						
C-5	Spring Presser	1 /	142120-0-01						
C-6	Ripple Type Spring	1 /	103602-0-02						
C-7	Eccentric Feed Control Cam	1 /	140020-0-01						
C-8	Cam Ditch Washer	2 pcs.	103601-0-01	140019-0-01					
C-9	Set Screw for C-8	1 pce.	101479-0-01						
C-10	Eccentric Wheel Clamp	2 pcs.	112075-0-01	for B756-5					
C-11	Pressor Pin for C-14	2 /	104765-0-01						
C-12	Gib Stopper	1 pce.	104766-0-01						
C-13	Set Screw for C-12	1 /	104717-0-01						
C-14	Gib	1 /	103595-0-00						



PARTS LIST for DB2-B756

B756-D9

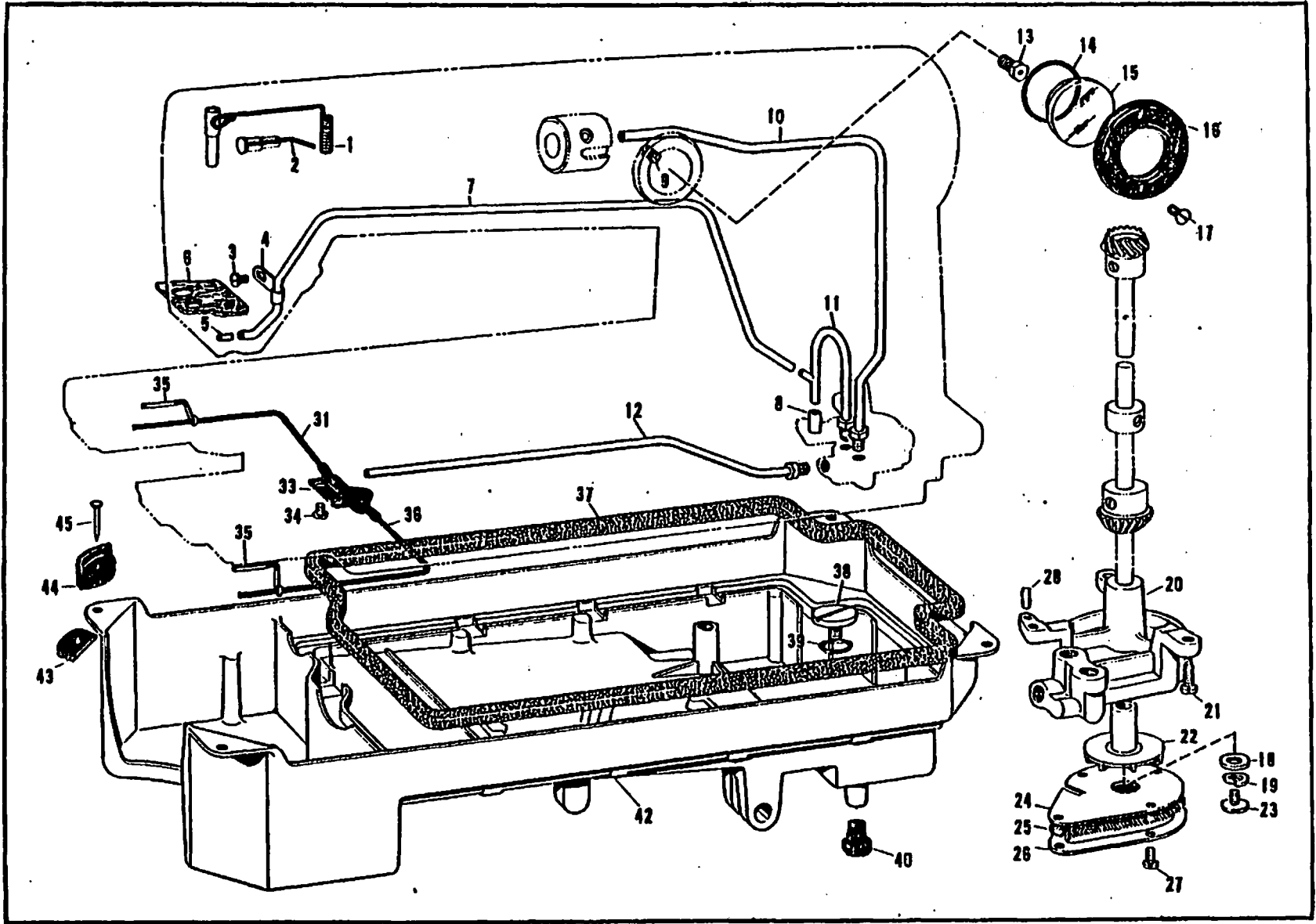
Ref. No.	Name of Parts	Q'ty	Parts-No.	Assembly No.	Ref. No.	Name of Parts	Q'ty	Parts-No.	Assembly No.
D-1	Feed Bar	1 pce.	111474-0-01		D-43	Oil Stopper for D-45	1 ♀	110551-0-01	
D-2	Collar for D-4	1 ♀	109157-0-01		D-44	Set Screw for D-43	2 pce.	100064-0-03	
D-3	Set Screw for D-2	2 pce.	100402-0-02		D-45	Feed Lifting Rock Shaft	1 pce.	104851-0-03	
D-4	Feed Bar Shaft	1 pce.	109151-0-01		D-46	Taper Center Right for D-45	1 ♀	104848-0-03	
D-5	Set Screw for D-8	2 pce.	100080-0-03		D-47	Set Screw for D-46	1 ♀	100018-0-03	
D-6	Feed Dog for B756-1	1 pce.	100624-0-01		D-48	Feed Rock Shaft Arm	1 ♀	109152-0-01	
♀	Feed Dog for B756-3	1 ♀	111860-0-01		D-49	Set Screw for D-51	1 ♀	100388-0-04	
♀	Feed Dog for B756-5	1 ♀	116002-0-01		D-50	Fastening Screw for D-48	2 pce.	100086-0-03	
D-7	Taper Center Left for D-12	1 ♀	104847-0-01		D-51	Pin for C-19	1 pce.	109153-0-01	
D-8	Set Screw for D-7	1 ♀	100013-0-03		D-52	Felt for D-19	1 ♀	107155-0-01	
D-9	Set Screw for D-4	2 pce.	104908-0-01						
D-10	Oil Stopper for D-12	1 pce.	110865-0-01						
D-11	Set Screw for D-10	2 pce.	100640-0-03						
D-12	Feed Rock Shaft	1 pce.	109154-0-03						
D-15	Taper Center Right for D-12	1 ♀	104848-0-01						
D-16	Set Screw for D-15	1 ♀	100013-0-03						
D-17	Lower Shaft Gear	1 ♀	117875-0-01						
D-18	Set Screw for D-17c	2 pce.	100251-0-01						
D-19	Lower Shaft Bushing Right	1 pce.	104520-0-00						
D-20	Set Screw for D-19	1 ♀	100088-0-02						
D-21	Lower Shaft Collar	1 ♀	104521-0-01	181995-0-01					
D-22	Set Screw for D-21	2 pce.	101706-0-01						
D-23	Lower Shaft for B756-1	1 pce.	109160-0-01						
♀	Lower Shaft for B756-3 & B756-5	1 ♀	114746-0-01						
D-24	Oil Felt for D-23	1 ♀	106436-0-01						
D-25	Lower Shaft Oil Cap Screw	1 ♀	109173-0-01						
D-26	Collar for D-26	1 ♀	109183-0-01						
D-27	Set Screw for D-26	2 pce.	109184-0-01						
D-28	Oil Adjusting Ring	1 pce.	109861-0-01						
D-29	Ratch for D-28	1 ♀	101862-0-01						
D-30	Lower Shaft Bushing Left	1 ♀	109857-0-00						
D-31	Set Screw on D-30	1 ♀	100539-0-02						
D-32	Set Screw for D-33	2 pce.	100218-0-02						
D-33	Oil Rejector for D-23	1 pce.	104572-0-01						
D-34	Rotary Hook Assembly for B756-1	1 ♀	112523-0-01						
♀	Rotary Hook Assembly for B756-3 & B756-5	1 ♀	116780-0-01						
D-35	Set Screw for D-36	1 ♀	100388-0-02						
D-36	Shuttle Race Position Bracket	1 ♀	100367-0-01	Change to	159324-001				
D-37	Bobbin	1 ♀	117132-0-01						
D-38	Bobbin Case	1 ♀	100369-0-01						
D-39	Taper Center Left for D-45	1 ♀	104847-0-01						
D-40	Set Screw for D-39	1 ♀	100013-0-03						
D-41	Feed Lifting Arm Assembly	1 ♀	104509-0-01						
D-42	Set Screw for D-41	1 ♀	100127-0-02						



PARTS LIST for DB2-B756

B756-E11

Ref. No.	Name of Parts	Q'ty	Parts-No.	Assembly No.	Ref. No.	Name of Parts	Q'ty	Parts-No.	Assembly No.
E-1	Presser Adjusting Screw	1 pco.	141207-0-01						
E-2	Presser Spring Washer	1	140407-0-01						
E-3	Presser Spring	1	141209-0-01						
E-4	Presser Bar	1	111466-0-01						
E-12	Presser Bar Bushing	1	111467-0-01						
E-5	Stud Screw for E-7	1	100294-0-01						
E-6	Presser Bar Lifter Bracket	1	100290-0-01						
E-7	Presser Bar Lifting Connector	1	109144-0-01						
E-8	Set Screw for E-9	1	100013-0-03	180102-0-01					
E-9	Presser Bar Bracket	1	100497-0-01						
E-10	Presser Bar Bracket Thread Guide for E-9	1	111469-0-01						
E-11	Set Screw for E-10	1	100541-0-01						
E-13	Set Screw for Presser Foot	1	100287-0-04						
E-14	Presser Foot Complete for B756-1 & B756-3	1	111856-0-01						
	Presser Foot Complete for B756-5	1	115997-0-01						
E-15	Hinge Screw for E-16	1	109163-0-01						
E-16	Tension Release Crank for E-8	1	111470-0-03						
E-17	Tension Release Crank Spring	1	100405-0-01						
E-18	Set Screw for E-19	1	104903-0-01	116319-0-01					
E-19	Presser Bar Lifter Cam	1	116318-0-01						
E-20	Presser Bar Lifter	1	104902-0-01						
E-22	Knee Lifter Upper Crank Shaft	1	109145-0-01						
E-23	Set Screw for E-24	1	100251-0-01						
E-24	Knee Lifter Crank Upper	1	141167-0-00						
E-25	Joint Pin	1	114909-0-01						
E-26	Presser Spring Bar	1	141208-0-01						
E-27	Nut for E-28	1	100301-0-00						
E-28	Knee Lifter Connecting Rod	1	141168-0-01						
E-29	Knee Lifter Complying Bar	1	104887-0-01						
E-30	Knee Lifter Spring for E-31	1	104886-0-01						
E-31	Knee Lifter Crank Lower	1	104883-0-02						
E-32	Lock Nut for E-33	1	100022-0-04						
E-33	Screw Stopper for E-31	1	104885-0-01						
E-34	Set Bolt for E-31	1	104884-0-01						
E-35	Set Bolt for E-36	1	104884-0-01						
E-36	Stopper Collar for E-29	1	104890-0-02						
E-37	Set Bolt for E-38	2 pco.	100463-0-01						
E-38	Knee Lifter Bracket	1 pco.	114964-0-01						
E-39	Knee Lifter Shaft	1	104882-0-01						
E-40	Knee Lifter Bar	1	104619-0-02						
E-43	Knee Lifter Plate	1	114966-0-01						
E-44	Cover for E-43	1	140503-0-01						
E-42	Knee Lifter Plate Stopper	1	114967-0-01						
E-41	Fastening Screw for E-42	1	110087-0-01						



PARTS LIST for DB2-B756

B756-F13

Ref. No.	Name of Parts	Q'ty	Parts-No.	Assembly No.	Ref. No.	Name of Parts	Q'ty	Parts-No.	Assembly No.
F-1	Wick 4x510 for B-2	1 pco.	108804-0-01						
F-2	Wick 4x100 for Oil Hole of B-2	1 /	109405-0-01						
F-3	Set Screw for F-4	1 /	100242-0-04						
F-4	Tube Holder for F-7 Beside B-28	1 /	109193-0-01						
F-5	Suction Pipe for Jet Pump	1 /	109191-0-00						
F-6	Dust Cover	1 /	111761-0-01						
F-7	Vinyl Tube 3x600	1 /	111198-0-01						
F-8	Vinyl Clip 5x20	1 /	140481-0-01						
F-9	Set Screw for F-10	1 /	104869-0-02						
F-10	Oil Pipe for Upper Shaft Assembly	1 /	116924-0-01						
F-11	Jet Pump	1 /	140549-0-01						
F-12	Oil Pipe for Lower Shaft Assembly	1 /	109178-0-01						
F-13	Oil Hole Bolt for Oil Gauge	1 /	104858-0-00						
F-14	Packing AN6227-14 for F-15	1 /	104548-0-01						
F-15	Oil Gauge Window	1 /	104547-0-01						
F-16	Oil Gauge Flange	1 /	104548-0-01						
F-17	Set Screw for F-16	4 pco.	102538-0-02						
F-18	Washer for F-23	1 pco.	105161-0-02						
F-19	Spring Washer for F-23	1 /	028350-2-43						
F-20	Oil Pump Body	1 /	109858-0-00						
F-21	Set Screw for F-20	3 pco.	100086-0-03						
F-22	Oil Propeller	1 pco.	109859-0-00						
F-23	Set Screw for F-22, B-59	1 /	109838-0-01						
F-24	Oil Pump Cover	1 /	109800-0-00						
F-25	Oil Filter for Pump	1 /	117093-0-00						
F-26	Oil Filter Flange	1 /	104864-0-00						
F-27	Set Screw for F-26	4 pco.	100137-0-01						
F-28	Taper Position Pin for F-20	2 /	102456-0-00						
F-29	Wick Supporter for D-1	1 pco.	109171-0-01						
F-30	Vinyl Tube for F-31	1 /	104566-0-01						
F-31	Wick 4x350 for D-1, D-12	1 /	108801-0-01						
F-32	Set Screw for F-29	2 pco.	100242-0-04						
F-33	Wick Supporter under Bod for F-31, F-36	1 pco.	109172-0-01						
F-34	Set Screw for F-33	2 pco.	100242-0-04						
F-35	Wick Supporter for D-41, D-45	1 pco.	104567-0-01						
F-36	Wick 4x250 for D-41	1 /	108802-0-01						
F-37	Packing for Oil Pan	2 pco.	114747-0-01						
F-38	Oil Pan Screw	1 /	140518-0-01						
F-39	Packing for F-38	1 /	081007-0-70						
F-40	Oil Cap	1 /	140480-0-01						
F-42	Oil Pan	1 /	140440-0-00						
F-43	Cushion for Oil Pan	4 pco.	110460-0-01						
F-44	Head Bolt on Oil Pan	4 /	113443-0-01						
F-45	Nail for F-44	4 /	107914-0-00						